

LIDO
_DARK

LIDO DARK

Ombrellone elegante e funzionale con sistema “push-up” che permette l’apertura con una semplice spinta, senza la necessità di fare sforzi e fare leva su una manovella o utilizzare una corda e carrucola: questo ne rende l’utilizzo pratico ed intuitivo. Progettato per essere estremamente funzionale, elegante e facile da utilizzare. Struttura leggera ma robusta realizzata in materiali di alta qualità che contribuiscono a una sensazione di modernità e sofisticatezza. Adatto ad un utilizzo nel settore balneare, piscine, balconi e terrazze.

EN

Elegant and functional umbrella with “push-up” system that allows it to be opened with a simple push, without the need to use a crank or a rope: this makes its use practical and intuitive. Designed to be extremely functional, stylish and easy to use.

Lightweight but with a sturdy structure made of high-quality materials that contribute to a modern and sophisticated feel. Suitable for use in seaside area, swimming pools, balconies and terraces.

**DE**

Eleganter und funktioneller Schirm mit „Push-up“-System, das das Öffnen mit einem einfachen Druck ermöglicht, ohne dass eine Kurbel oder ein Seil erforderlich sind. Dies macht die Verwendung praktisch und intuitiv. Konzipiert um äußerst funktional, trendy und einfach zu bedienen zu sein. Leichtes und dennoch starkes Gestell aus hochwertigen Materialien, modern und anspruchsvoll. Geeignet für Küstengebiete, Schwimmbäder, Balkone und Terrassen.

FR

Parasol élégant et fonctionnel avec système “push-up” qui permet de l’ouvrir d’une simple pression, sans avoir besoin de tourner une manivelle ou d’utiliser une corde ou une poulie: cela rend son utilisation pratique et intuitive. Conçu pour être extrêmement fonctionnel, élégant et facile à utiliser. Construction légère mais robuste faite de matériaux de haute qualité qui contribuent à une sensation de modernité et de sophistication. Convient pour une utilisation dans le secteur balnéaire, les piscines, les balcons et les terrasses.

ES

Parasol elegante y funcional con sistema “push-up” que permite abrir con un simple empujón, sin necesidad de girar un mango ni utilizar cuerda o polea: esto hace que su uso sea práctico e intuitivo. Diseñado para ser extremadamente funcional, elegante y fácil de usar. Construcción ligera pero resistente, fabricada con materiales de alta calidad que contribuyen a una sensación de modernidad y sofisticación. Apto para uso en el sector costero, piscinas, balcones y terrazas.

NL

Een elegante en functionele parasol met een ‘push-up’-systeem waardoor hij met een simpele druk kan worden geopend, zonder dat je een hendel hoeft te draaien of een touw en katrol hoeft te gebruiken: dit maakt hem praktisch en intuïtief in gebruik. Ontworpen om uiterst functioneel, elegant en gebruiksvriendelijk te zijn. Lichtgewicht maar wel robuuste constructie van hoogwaardige materialen die bijdragen aan een moderne en verfijnde uitstraling. Geschikt voor gebruik aan de kust, bij zwembaden, op balkons en terrassen.



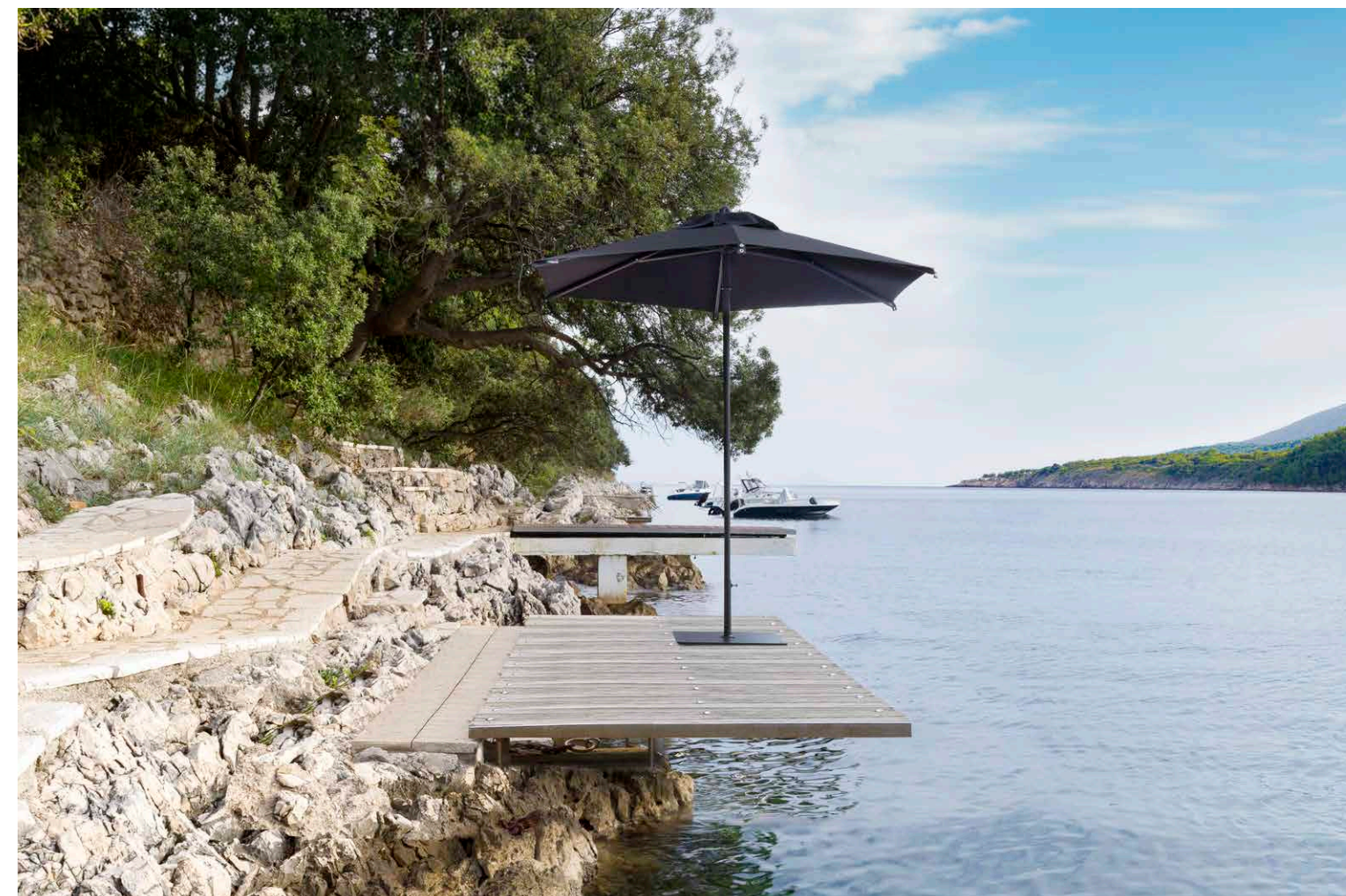
250



200x200 | 250x250



-





IT

Telaio in alluminio con verniciatura a polveri colore grigio antracite, bianco opaco o anodizzato titanium. Viteria in acciaio inox e componenti in nylon.

Sistema di corone in plastica completamente rinnovato, con design e funzionalità che rendono questo prodotto esclusivo.

EN

Aluminum frame with powder coating anthracite grey and matt white or anodized Titanium finish. Stainless steel hardware and nylon components. Completely renovated plastic crown system with new design and increased functionality that make this product unique.

DE

Aluminiumgestell pulverbeschichtet Farbe Anthrazitgrau, Mattweiss oder mit Titanium-Effekt. Edelstahlzubehoer und Nylonbestandteile. Komplett erneuertes Kunststoffkronensystem. Einzigartiges und funktionelles Design.

FR

Structure en aluminium vernie à poudre couleur gris anthracite, Starwhite et finition effet Titane. Vis en acier inoxydable et composants en nylon. Système de couronne en plastique entièrement renouvelé, avec un design et une fonctionnalité qui rendent ce produit exclusif.

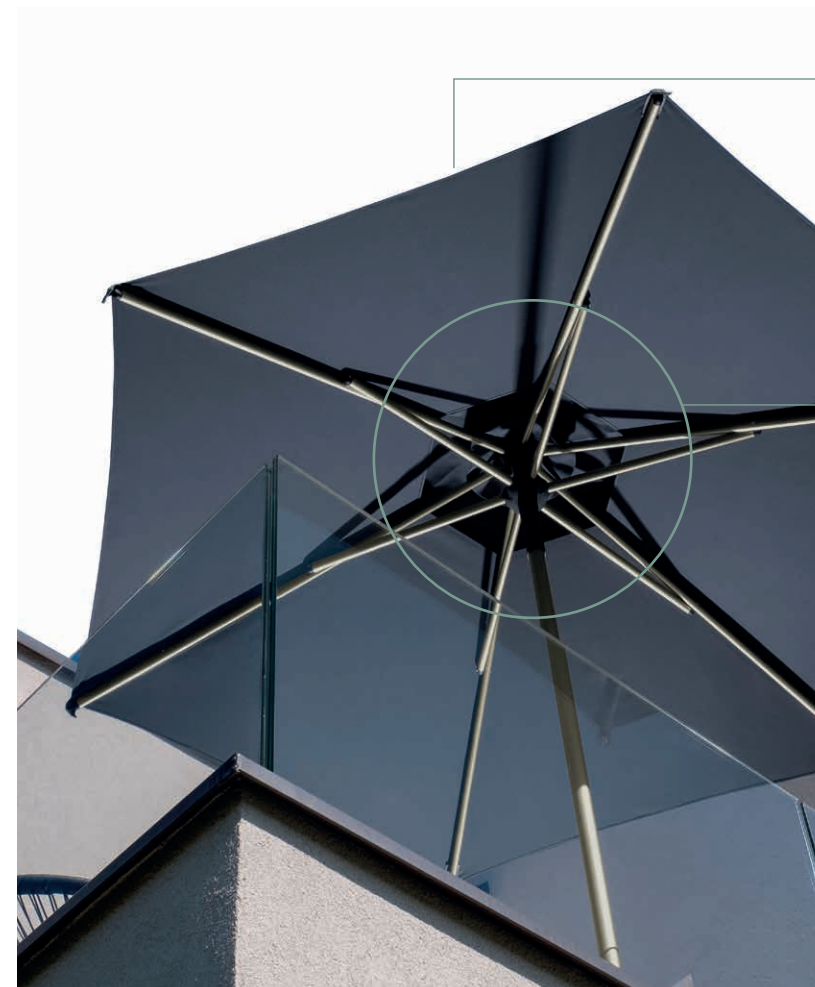
ES

Estructura de aluminio con recubrimiento en polvo gris antracita, Starwhite et acabado efecto titanio. Tornillos de acero inoxidable y componentes de nailon. Sistema de corona plástica completamente renovado, con diseño y funcionalidad que hacen exclusivo este producto.

NL

Aluminium frame met poedercoating lak kleur antracietgrijze, Starwhite of titanium-look Roestvrijstalen en nylon onderdelen.

Volledig vernieuwd kunststof kroonsysteem, met design en functionaliteit die dit een exclusief product maken.



EU REGISTERED DESIGN
n. 015054613-0002



EU REGISTERED DESIGN
n. 015054613-0001



Exclusive protection for an innovative design.

EU REGISTERED DESIGN
n. 015054613-0001

CHARACTERISTICS

				KG	M ²			
2,5	DARK C2500LDD			8	0,09	40	6	18x30
	STARWHITE C2500LDW							
	TITANIUM C2500LDT							
2,0 x 2,0	DARK C2020LDD			7	0,09	40	4	18x30
	STARWHITE C2020LDW							
	TITANIUM C2020LDT							
2,5 x 2,5	DARK C2525LDD			9	0,11	40	4	18x30
	STARWHITE C2525LDW							

FINISHING



- Camino antivento
Wind cap



- Stecca con sistema "easy change"
Ribs with "easy change" system



- Apertura semplificata a spinta
Easy push opening system



- Alu Dark
- Alu Starwhite
- Alu Titanium
Not available for 2,5x2,5



- Alu Dark
- Alu Starwhite
- Alu Titanium
Not available for 2,5x2,5

OPTIONAL

			BASES p. 226			GROUND FIXING p. 235	
2,5	DARK C2500LDD	◆	BF6565D				
	STARWHITE C2500LDW		BF6565W	BC35MA4 BC55MA4	BC151GRA4	BTC +BTT45	CP3030ZS +BTT45
	TITANIUM C2500LDT		BF6565D				
2,0 x 2,0	DARK C2020LDD	◆	BF6565D				
	STARWHITE C2020LDW		BF6565W	BC35MA4 BC55MA4	BC151GRA4	BTC +BTT45	CP3030ZS +BTT45
	TITANIUM C2020LDT		BF6565D				
2,5 x 2,5	DARK C2525LDD	◆	BF6565D				
	STARWHITE C2525LDW		BF6565W	BC55MA4	BC5151GRA4	BTC +BTT45	CP3030ZS +BTT45

COLOUR RANGE - p.244

ACRILYC 350GR

Senza Volant / without Volant



A1N

ALL OPTIONS



T6N

T7N



T8N

T9N

S1N

ALL OPTIONS

VERIFICA LA STABILITÀ - p.236

Check stability - Vérifiez la stabilité - Stabilität prüfen - Compruebe la estabilidad - Controleer de stabiliteit

BASES STANDARD TELESCOPIC



BT45 - BT55 - BT65 NEW

- Tubo in acciaio zincato, colore Dark o Starwhite. Doppio galletto. Viteria inclusa.
- Steel zincated tube, powder coated anthracite grey or white. Double wing nut. Screws included.
- Verzinkte Stahlhülse. Pulverbeschichtet Farbe Anthrazitgrau oder Weiss. Doppelte Hutmutter. Schrauben inbegriffen.
- Tube acier galvanisé et vernis DARK et BLANC. Avec double écrou papillon. Visserie incluse.
- Tubo de acero galvanizado y pintado de DARK o BLANCO. Con 2 tornillos de mariposa. Accesorios incluidos.
- Buis gegalvaniseerd, gepoedercoat in antracietgrijs of matwit. Met vleugelmoer. Inclusief schroeven.



	42 mm	45 mm	36-40 mm	
BT45/BT45D/BT45W	42 mm	45 mm	36-40 mm	
BT55/BT55D/ BT55W	52 mm	55 mm	47-50 mm	1 kg
BT65/BT65D/ BT65W	62 mm	65 mm	55-60 mm	

BTT45 - BTT55 - BTT65 NEW

- Tubo acciaio zincato, colore Dark o Starwhite per fissaggio a terra o base cemento. Eventualmente da abbinare all'articolo BTC.
- Steel tube for ground fixing or cement bases, powder coated anthracite grey or white. Possibility to combine it with Art BTC.
- Verzinkte Stahlhülse. Pulverbeschichtet Farbe Anthrazitgrau oder Weiss. Fuer Bodenbefestigung oder Betonstaender. Eventuell mit Art BTC kombinierbar.
- Tube acier galvanisé et vernis DARK et BLANC pour fixation au sol DARK et BLANC ou bien à la base en ciment. Eventuellement à combiner avec BTC.
- Tubo de acero galvanizado y pintado DARK o BLANCO para sujeción al suelo o a la base de hormigón. Posiblemente para combinar con el artículo BTC.
- Gegalvaniseerde stalen buis voor grondanker, gepoedercoat in antracietgrijs of matwit. Te gebruiken op betonvoet of grondanker in combinatie met de BTC.



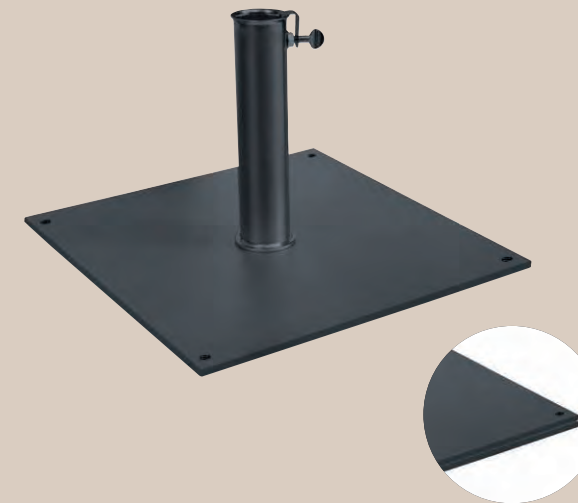
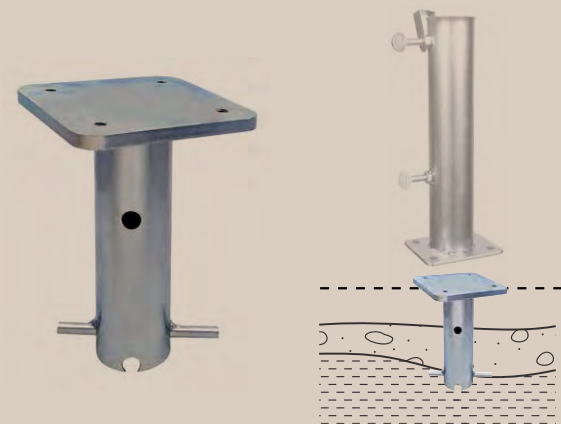
	42 mm	45 mm	36-40 mm	
BTT45/BTT45D/ BTT45W	42 mm	45 mm	36-40 mm	
BTT55/BTT55D/ BTT55W	52 mm	55 mm	47-50 mm	1 Kg
BTT65/BTT65D/ BTT65W	62 mm	65 mm	55-60 mm	

BTC

- Supporto da interrare. Da abbinare a BTT55 e BTT65.
- Support for ground fixing. To combine with BTT55 and BTT65.
- Staender zum einbetonieren. Kombinierbar mit BTT55 und BTT65.
- Pied pour fixation au sol. A joindre avec BTT55 et BTT65.
- Pie para fijar al suelo. Combinar con BTT55 y BTT65.
- Betonanker, te gebruiken in combinatie met BTT55 en BTT65.



BTC	47-50 mm	1,3 Kg
-----	----------	--------



BF6565D - BF6666D

- Base in acciaio colore antracite. Tubo incl.
- Steel base colour antracite grey. Tube incl.
- Stahlstaender grau pulverbeschichtet. Hülse inbegriffen.
- Pied en acier vernis coul. gris. Tube incl.
- Pie de acero de color antracita. Tubo incluido.
- Parasolvoet grijs geëpoxeerde metaalplaat. Wordt geleverd met koker.



	42 mm	45 mm	36-40 mm		
BF6565D/BT45D	42 mm	45 mm	36-40 mm		
BF6565D/BT55D	650x650x15 mm	52 mm	55 mm	47-50 mm	35 Kg
BF6565D/BT65D	62 mm	65 mm	55-60 mm		
BF6666D/BT45D	42 mm	45 mm	36-40 mm		
BF6666D/BT55D	650x650x25 mm	52 mm	55 mm	47-50 mm	70 kg
BF6666D/BT65D	62 mm	65 mm	55-60 mm		

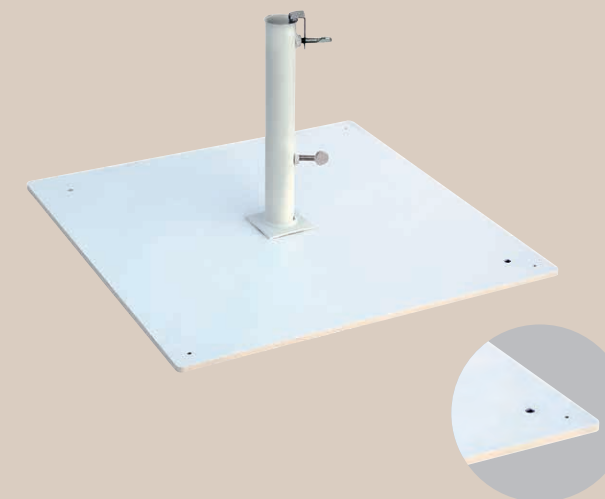


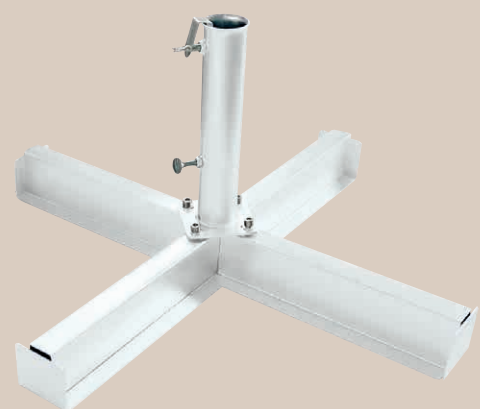
BF6565W - BF6666W

- Base in acciaio Starwhite. Tubo incl.
- Starwhite finish steel base. Tube included.
- Stahlstaender pulverbeschichtet Farbe weiss. Hülse inbegriffen.
- Pied en acier vernis Starwhite. Tube inclus.
- Base de acero pintado Starwhite. Tubo incluido.
- Parasolvoet metaal in witte kleur. Wordt geleverd met koker.



	42 mm	45 mm	36-40 mm		
BF6565W/BT45W	42 mm	45 mm	36-40 mm		
BF6565W/BT55W	650x650x15 mm	52 mm	55 mm	47-50 mm	35 Kg
BF6565W/BT65W	62 mm	65 mm	55-60 mm		
BF6666W/BT45W	42 mm	45 mm	36-40 mm		
BF6666W/BT55W	650x650x25 mm	52 mm	55 mm	47-50 mm	70 kg
BF6666W/BT65W	62 mm	65 mm	55-60 mm		





BQ8080WS NEW

- Base a croce metallica zincata. Disponibile con BTT55 e BTT65. Tubo incluso. Da abbinare a 8 piastre cemento Art.BC4040
- Zincated cross metal base. Available with BTT55 and BTT65. Tube included. To combine with 8 cement plates Art.BC4040
- Verzinkte Stahlplattenstaender. Verfuegbar mit BTT55 und BTT65. Huelse inbegriffen. Zum kombinieren mit 8 Betonplatten Art.BC4040
- Pied en acier galvanisé. Disponible avec BTT55 et BTT65. Tube incl. À combiner avec 8 dalles ciment Art.BC4040
- Base de metal galvanizado. Disponible con BTT55 y BTT65. Tubo incluido. Para combinar con 8 placas de hormigón Art.BC4040
- Metalen basis, verzinkt. Verkrijgbaar met BTT55 en BTT65. Tube inbegrepen. Te combineren met 8 betonplaten Art.BC4040

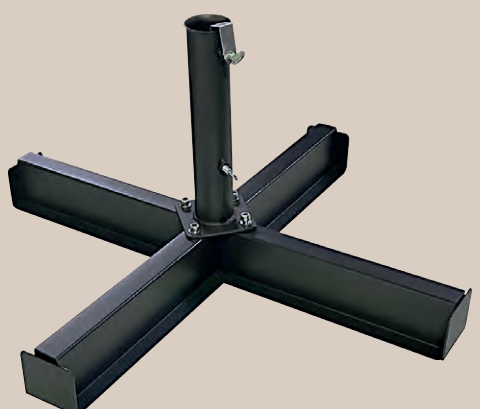
BQ8080WS/BTT55W	850x850 mm	52 mm	55 mm	47-50 mm	8 Kg
BQ8080WS/BTT65W		62 mm	65 mm	55-60 mm	



BUD26WS NEW

- Base a croce metallica colore bianco Starwhite. Disponibile con BTT55 e BTT65. Tubo incluso. Da abbinare a 12 piastre cemento Art.BC4040
- White cross metal base. Available with BTT55 and BTT65. Tube included. To combine with 12 cement plates Art.BC4040
- Weisser Stahlplattenstaender. Verfuegbar mit BTT55 und BTT65. Huelse inbegriffen. Zum kombinieren mit 12 Betonplatten Art.BC4040
- Pied en acier blanc. Disponible avec BTT55 et BTT65. Tube incl. À combiner avec 12 dalles ciment Art.BC4040
- Base de metal blanca. Disponible con BTT55 y BTT65. Tubo incluido. Para combinar con 12 placas de hormigón Art.BC4040
- Wit metalen basis. Verkrijgbaar met BTT55 en BTT65. Tube inbegrepen. Te combineren met 12 betonplaten Art.BC4040

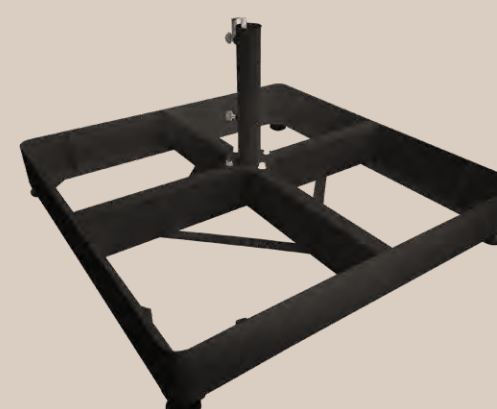
BUD26WS/BTT55W	850x850 mm	52 mm	55 mm	47-50 mm	32 Kg
BUD26WS/BTT65W		62 mm	65 mm	55-60 mm	



BQ8080DS NEW

- Base a croce metallica colore antracite. Disponibile con BTT55 e BTT65. Tubo incluso. Da abbinare a 8 piastre cemento Art.BC4040
- Dark cross metal base. Available with BTT55 and BTT65. Tube included. To combine with 8 cement plates Art.BC4040
- Stahlplattenstaender. Anthrazitgrau. Verfuegbar mit BTT55 und BTT65. Huelse inbegriffen. Zum kombinieren mit 8 Betonplatten Art.BC4040
- Pied en acier gris. Disponible avec BTT55 et BTT65. Tube incl. À combiner avec 8 dalles ciment Art.BC4040
- Base de metal gris. Disponible con BTT55 y BTT65. Tubo incluido. Para combinar con 8 placas de hormigón Art.BC4040
- Metalen basis. Houtskoolgrijs. Verkrijgbaar met BTT55 en BTT65. Tube inbegrepen. Te combineren met 8 betonplaten Art.BC4040

BQ8080DS/BTT55D	850x850 mm	52 mm	55 mm	47-50 mm	8 Kg
BQ8080DS/BTT65D		62 mm	65 mm	55-60 mm	



BUD26DS NEW

- Base a croce metallica colore antracite. Disponibile con BTT55 e BTT65. Tubo incluso. Da abbinare a 12 piastre cemento Art.BC4040
- Dark cross metal base. Available with BTT55 and BTT65. Tube included. To combine with 12 cement plates Art.BC4040
- Stahlplattenstaender anthrazitgrau. Verfuegbar mit BTT55 und BTT65. Huelse inbegriffen. Zum kombinieren mit 12 Betonplatten Art.BC4040
- Pied en acier gris. Disponible avec BTT55 et BTT65. Tube incl. À combiner avec 12 dalles ciment Art.BC4040
- Base de metal gris. Disponible con BTT55 y BTT65. Tubo incluido. Para combinar con 12 placas de hormigón Art.BC4040
- Metalen basis. Houtskoolgrijs. Verkrijgbaar met BTT55 en BTT65. Tube inbegrepen. Te combineren met 12 betonplaten Art.BC4040

BUD26DS/BTT55D	850x850 mm	52 mm	55 mm	47-50 mm	32 Kg
BUD26DS/BTT65D		62 mm	65 mm	55-60 mm	





BC35MA4

- Base in cemento graniglia bianca con maniglie. Disponibile con tubo BTT45, BTT55, BTT65. Tubo incluso.
- White cement grit base with handles. Available with tube BTT45, BTT55, BTT65. Tube incl.
- Weisser Kiesbetonstaender mit Handgriffen. Verfuegbar mit Huelse BTT45, BTT55, BTT65. Huelse inbegr.
- Pied ciment grés blanc avec poignées. Disponible avec tube BTT45, BTT55, BTT65. Tube incl.
- Base de cemento y arena blanca con asas. Disponible con tubo BTT45, BTT55, BTT65. Tubo incluido.
- Wit parasolvoet gewassen grind met handgrepen. Inclusief koker, maat naar keuze: BTT45, BTT55, BTT65.



		42 mm	45 mm	36-40 mm	
BC35MA4/BTT45-W-D					
BC35MA4/BTT55-W-D	Ø 540 mm	52 mm	55 mm	47-50 mm	35 Kg
BC35MA4/BTT65-W-D		62 mm	65 mm	55-60 mm	

BC55MA4/BC80MA4



- Base in cemento graniglia bianca con maniglie. Disponibile con tubo BTT45, BTT55, BTT65. Tubo incluso.
- White cement grit base with handles. Available with tube BTT45, BTT55, BTT65. Tube incl.
- Weisser Kiesbetonstaender mit Handgriffen. Verfuegbar mit Huelse BTT45, BTT55, BTT65. Huelse inbegr.
- Pied ciment grés blanc avec poignées. Disponible avec tube BTT45, BTT55, BTT65. Tube incl.
- Base de cemento y arena blanca con asas. Disponible con tubo BTT45, BTT55, BTT65. Tubo incluido.
- Wit parasolvoet gewassen grind met handgrepen. Inclusief koker, maat naar keuze: BTT45, BTT55, BTT65.



		42 mm	45 mm	36-40 mm	
BC55MA4/BTT45-W-D					
BC55MA4/BTT55-W-D	Ø 600 mm	52 mm	55 mm	47-50 mm	55 Kg
BC55MA4/BTT65-W-D		62 mm	65 mm	55-60 mm	
BC80MA4/BTT45-W-D		42 mm	45 mm	36-40 mm	
BC80MA4/BTT55-W-D	Ø 640 mm	52 mm	55 mm	47-50 mm	80 Kg
BC80MA4/BTT65-W-D		62 mm	65 mm	55-60 mm	

BC5151GRA4



- Piastra in cemento grigio con maniglie. Disponibile con tubo BTT45, BTT55, BTT65. Tubo incluso.
- Concrete grey cement slab with handles. Available with tube BTT45, BTT55, BTT65. Tube incl.
- Grauer Betonplatte mit Handgriffen. Verfuegbar mit Huelse BTT45, BTT55, BTT65. Huelse inbegr.
- Dalles ciment couleur gris avec poignées. Disponible avec tube BTT45, BTT55, BTT65. Tube incl.
- Base de cemento gris con asas. Disponible con tubo BTT45, BTT55, BTT65. Tubo incluido.
- Betontegel grijs met handgrepen. Inclusief koker, maat naar keuze: BTT45, BTT55, BTT65.



		42 mm	45 mm	36-40 mm	
BC5151GRA4/BTT45-D					
BC5151GRA4/BTT55-D	500x500 mm	52 mm	55 mm	47-50 mm	60 Kg
BC5151GRA4/BTT65-D		62 mm	65 mm	55-60 mm	

FABRIC COLLECTION



FATTORE DI PROTEZIONE SOLARE

Limita il passaggio del calore per più del 70%.

SOLAR PROTECTION FACTOR

Harmful UV rays and limiting heat circulation



FATTORE DI PROTEZIONE LUMINOSA

Indica la percentuale di trasmissione della luce

FACTOR OF SOLAR LIGHT PROTECTION

% of light trasmission



FATTORE DI PROTEZIONE UPF

Protezione dai raggi U.V. (UPF) dal 85% al 100%

UPF PROTECTION FACTOR

Harmful UV rays. (UPF) from 85% almost 100%

SCHEMA TECNICA / DATA SHEET

COMPOSIZIONE / COMPOSITION	CARATTERISTICHE / FINISHING	SOLIDITÀ AL COLORE / COLOR FASTNESS	TRATTAMENTO / TREATMENT	IMPERMEABILITÀ / COLONNA D'ACQUA / IMPERMEABILITY / WATER COLUMN
350 gr/m ² 100% acryl	Inattaccabile da muffe e batteri. Solido alla luce Permeabile all'aria Antimacchia - Resistant to mould and bacteria. Solid to light Air permeable Stain resistant	Grado 7/8 ensio 105-b04 - Grade 7/8 ensio 105-b04	Resine teflon idro-oleorepellenza - Teflon resins water-oil repellent	circa 25 cm - about 25cm



350 GR/M²
ACRYLIC

A1
ECRU
NATURAL

T2
TERRACOTTA
ZIEGELROT

T3
BORDEAUX

T6
TAUPE

T7
BIANCO
WHITE
WEISS

T8
GRIGIO PERLA
SILVER GREY
SILBERGRAU
GRIS PERLE

T9
ANTRACITE
ANTHRACIT
ANTHRAZITGRAU

S1
NERO /BLACK
SCHWARZ
NOIRE

	70/80%	> 90%	> 90%	> 90%	70/80%	> 90%	> 90%	> 90%
	20/30%	< 10%	< 10%	< 10%	20/30%	< 10%	< 10%	< 10%
	85/89%	100%	100%	100%	85/89%	100%	100%	100%

I dati forniti, pur essendo frutto di misurazioni scientifiche condotte in laboratori certificati, sono da ritenersi indicativi.
The above mentioned data are indicative, although provided by scientific measurements performed in certified laboratories.



MATERIALI E FINITURE

MATERIALS AND FINISHING

COMPONENTI E PROFILI ALLUMINIO

ALUMINIUM COMPONENTS AND PROFILES



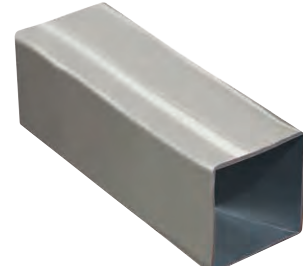
Aluminium DARK

Napoli Standard/Braccio
Leonardo Braccio/Telesc.
Palladio Braccio
Torino Braccio
Galileo Dark
Galileo Maxi Dark
Alu Poker / Double Dark
Wood Poker / Double
Capri Dark
Lido Dark
Revo Dark
Verona Dark



Aluminium STARWHITE

Rimini Standard
Rimini Braccio
Pompei Braccio
Galileo Starwhite
Galileo Maxi Starwhite
Alu Poker / Double Starwhite
Capri Starwhite
Lido Starwhite
Revo Starwhite
Verona Starwhite



ALU TITANIUM

Lido Titanium
Vela Titanium



Aluminium IROKO

Torino Braccio
Palladio Braccio
Wood Poker / Double
Galileo Wood



Aluminium DARK

Napoli
Standard
Braccio
Leonardo
Braccio
Telescopic
Galileo Dark
Galileo Maxi Dark
Alu Poker
Double Dark
Lido Dark
Revo Dark
Verona Dark



Aluminium STARWHITE

Rimini
Standard
Braccio
Pompei Braccio
Galileo Starwhite
Galileo Maxi Starwhite
LidoStarwhite
Revo Starwhite
Verona Starwhite



Alu TITANIUM

Lido
Titanium
Vela
Titanium



Alu IROKO

Galileo Wood



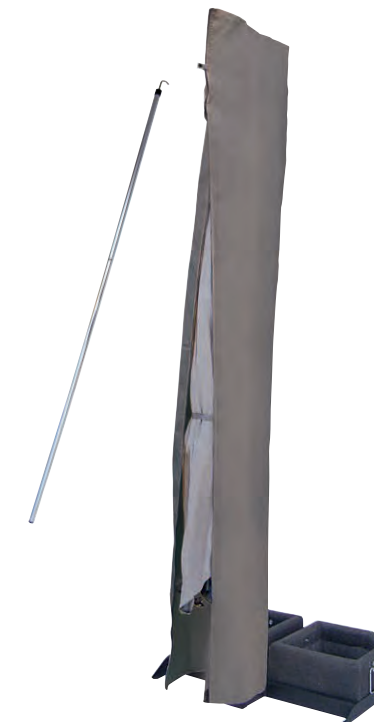
IROKO WOOD

Palladio
Standard
Braccio
Telescopic
Torino Braccio

ACCESSORI



Standard



Galileo



Braccio



La base e l'eventuale zavorra sono fondamentali per garantire stabilità e sicurezza.

Selezionare l'opzione adeguata al momento dell'ordine.

In caso di fissaggio a terra si esclude il rischio di ribaltamento dell'ombrellone, ma non il cedimento strutturale di alcuni componenti se sottoposti a condizioni atmosferiche incompatibili con l'uso dei nostri prodotti. Queste tabelle sono indicative e prevedono che il pavimento o il terreno di appoggio sia perfettamente piano e regolare.

Gli ombrelloni e i rispettivi componenti delle basi devono essere assemblati correttamente rispettando le istruzioni di montaggio. La stabilità degli ombrelloni può variare nel caso di condizioni atmosferiche particolari. L'utilizzatore finale è responsabile del corretto uso dell'ombrellone. Nessuna rivalsa può essere fatta sul produttore.

EN

The base and any ballast are essential to ensure stability and safety.

Please select the appropriate option when ordering. In case of ground fixation, the risk of overturning of the parasol is excluded, but not the structural failure of some components, if subjected to atmospheric conditions that are incompatible with the use of our products.

This schedule considers statics calculation and foresees that the floor where the parasol has to be positioned is perfectly flat and regular.

The parasols and components have to be assembled correctly and respecting the assembly instruction. The schedule has to be considered indicative because many variables that depend from the area of employ and position of the parasols are not foreseeable. No rights can be derived from this. The use of a parasol is always on your own responsibility.



DE

Der Staender und eventueller Ballast sind grundlegend um Stabilitaet und Sicherheit zu gewaehrleisten. Bitte waehlen Sie bei der Bestellung die entsprechende Option aus.

Bei Bodenbefestigung ist das Risiko des Umkippens des Schirms ausgeschlossen, aber nicht das strukturelle Versagen einiger Bestandteile, wenn es atmosphärischen Bedingungen ausgesetzt wird, die mit der Verwendung unserer Produkte nicht vereinbar sind.

Diese Aufstellung beinhaltet statistische Kalkulationen und sieht vor, dass der Schirm auf einem ebenen und regelmaessigen Boden positioniert wird. Der Schirm und die Bestandteile des Staenders muessen gemass Anbauanleitungen montiert werden. Die Stabilitaet der Schirme kann auf Grund besonderer klimatischen Konditionen aendern. Der Endbenutzer ist fuer die ordnungsgemaesse Verwendung des Schirmes verantwortlich.

FR

La base et les eventuels poids sont essentiels pour assurer la stabilité et la sécurité. Svpl. sélectionnez l'option appropriée lors de la commande. En cas de fixation au sol, le risque de renversement du parasol est exclu, mais pas la défaillance structurelle de certains composants s'ils sont soumis à des conditions atmosphériques incompatibles avec l'utilisation de nos produits. Ces tableaux sont à titre indicatif et ils prévoient que la surface sur laquelle est implanté le parasol soit parfaitement plane et lisse.

Les parasols et les éléments respectifs des bases doivent être assemblés en respectant scrupuleusement les instructions de montage.

La stabilité des parasols peut varier dans le cas de conditions atmosphériques particulières et dépend du lieu et de l'utilisation propre à chaque utilisateur (le parasol doit être fermé en cas de vent fort et/ou de mauvaises conditions météorologiques).

ES

La base y las posibles losetas o pesos son fundamentales para garantizar la estabilidad y la seguridad. Seleccione la opción adecuada al realizar el pedido.

En caso de fijación al suelo, se excluye el riesgo de vuelco del parasol, pero no el fallo estructural de algunos componentes si se someten a condiciones atmosféricas incompatibles con el uso de nuestros productos. Estos cuadros son indicativos y requieren que el suelo o el apoyo de tierra sea perfectamente plano y liso.

El parasol y los respectivos componentes de la base deben ser montados correctamente respetando las instrucciones. La estabilidad de los parasoles puede variar según las condiciones atmosféricas.

NL

Basis en eventuele ballast zijn essentieel om stabiliteit en veiligheid te garanderen. Selecteer alstublieft de juiste optie bij het bestellen. In het geval van bevestiging aan de grond is het risico dat de parasol omvalt uitgesloten, maar niet het structurele falen van sommige onderdelen als ze worden blootgesteld aan atmosferische omstandigheden die onverenigbaar zijn met het gebruik van onze producten.

Dit schema houdt rekening met statische berekeningen en gaat ervan uit dat de vloer waarop de parasol moet worden geplaatst perfect vlak en regelmatig is.

De parasols en onderdelen moeten correct en volgens de montagehandleiding worden gemonteerd. Het schema moet als indicatief worden beschouwd omdat veel variabelen die afhangen van het werkgebied en de positie van de parasols niet te voorzien zijn.

STABILITY

1

- Peso minimo richiesto
- Minimum required weight
- Erforderliches Mindestgewicht
- Poids minimum requis
- Peso mínimo requerido
- Minimaal vereist gewicht

2

- Stabilità intermedia
- Intermediate stability
- Mittlere Stabilität
- Stabilité intermédiaire
- Estabilidad intermedia
- Gemiddelde stabiliteit

3

- Peso consigliato in condizioni normali
- Recommended weight under normal conditions
- Empfohlenes Gewicht unter normalen Bedingungen
- Poids recommandé dans des conditions normales
- Peso recomendado en condiciones normales
- Aanbevolen gewicht onder normale omstandigheden

4

- Massima stabilità con base
- Maximum stability with base
- Maximale Stabilität mit Staender
- Stabilité maximale avec socle
- Máxima estabilidad con base
- Maximale stabiliteit met voet

5

- Massima stabilità con fissaggio a terra
- Maximum stability with ground fixation
- Maximale Stabilität bei Bodenbefestigung
- Stabilité maximale avec fixation au sol
- Máxima estabilidad con fijación al suelo
- Maximale stabiliteit door bodembestijging



- In caso di base con ruote, prestare particolare attenzione in caso di vento. Prima di spostare l'ombrellone è necessario chiuderlo.
- In case of base with wheels, be especially careful in windy conditions. Close the parasol before moving it.
- Bei Staender mit Rädern und Wind besonders vorsichtig sein. Der Schirm kann geschlossen bewegt werden.
- Dans le cas d'une base à roues, faites particulièrement attention par temps venteux. Avant de déplacer le parasol, il est nécessaire de le fermer.
- En el caso de una base con ruedas, tenga especial cuidado en condiciones de viento. Antes de mover la sombrilla es necesario cerrarlo.
- Wees vooral voorzichtig met statieven met wielen en wind. De parasol kan in gesloten toestand worden verplaatst.

BASES

GROUND FIXING



		BC35MA4	BC55MA4	BC80MA4	BC5151GRA4	BF6565D BF6565W	BF6666D BF6666W	BUD26DS/BUD26WS +N°12 BC4040	BQ8080DS/BQ8080WS +N°8 BC4040	BTC +BTT	CP3030DS/ CP3030BS +BTT	CP6565DS/ CP6565DS +BTT	BTAZS
PALLADIO		1	3	4		3	4	/	/	5	5	/	/
LIDO	Ø 2,5	1	3	4		3	4	/	/	5	5	/	/
REVO		1	3	4		3	4	/	/	5	5	/	/
PALLADIO	Ø 3,0	/	3	4		3	4	/	/	5	5	/	/
NAPOLI RIMINI		/	2	3		2	3	/	4	5	5	/	/
PALLADIO	Ø 3,5	/	2	3		2	3	/	4	5	5	/	/
PALLADIO	Ø 4,0	/	1	2	/	1	2	4	3	5	5	/	/
PALLADIO TEL.	Ø 5,0	/	/	1	/	/	1	3	2	5	5	/	/
VELA LIDO		1	3	4		3	4	/	/	5	5	/	/
PALLADIO	2,0 x 2,0	1	3	4		3	4	/	/	5	5	/	/
LIDO	2,5 x 2,5	/	3	4		3	4	/	/	5	5	/	/
VELA		/	2	3		2	3	5	4	5	5	/	/
PALLADIO		/	2	3		2	3	5	4	5	5	/	/
NAPOLI RIMINI	3,0 x 3,0	/	2	3		2	3	5	4	5	5	/	/
VERONA		/	/	/	/	/	/	5	4	/	5 NO BTT	5 NO BTT	5
PALLADIO		/	1	2	/	1	2	4	3	5	5	/	/
LEONARDO	3,5 x 3,5	/	1	2	/	1	2	4	3	5	5	/	/
VERONA		/	/	/	/	/	/	4	3	/	5 NO BTT	5 NO BTT	5
PALLADIO		/	/	1	/	/	1	4	3	5	5	/	/
LEONARDO PALLADIO TEL.	4,0 x 4,0	/	/	1	/	/	1	4	3	5	5	/	/
VERONA		/	/	/	/	/	/	4	3	/	5 NO BTT	5 NO BTT	5
NAPOLI		/	3	4		3	4	/	/	5	5	/	/
PALLADIO	2,0 x 3,0	/	3	4		3	4	/	/	5	5	/	/
NAPOLI RIMINI		/	1	2	/	1	2	4	3	5	5	/	/
PALLADIO	3,0 x 4,0	/	1	2	/	1	2	4	3	5	5	/	/
LEONARDO PALLADIO TEL.		/	1	2	/	1	2	4	3	5	5	/	/

USE AND MAINTENANCE

DIRECTIONS

- Before use, directions and assembling instructions, which are inside the package, have to be kept and read carefully.
- The base has to be ballasted. An insufficient weight will seriously compromise the stability of the parasol.
- Always remove crank when not in use and keep out of reach of children.
- To avoid damage or personal injury, parasol must be closed and in some extreme weather conditions it may be necessary to remove the product and store it in a protected place. Remember always that the parasol is not a fixed construction. The company Scolari cannot be held responsible for damages to goods supplied, or injury resulting from improper use and failure to follow instruction and guidelines given on.

PRODUCT EMPLOY

Before starting to open the parasol, make sure that the fabric has not got caught in the internal ribs. To open or close the parasol, turn the handle (where available) in the direction indicated by the arrows and the words "Open" or "Close". Incorrect operation could tear the string or damage the mechanism. Never force the ropes or handles. If they get stuck, check why this has happened and eliminate the possible cause. Wooden parts: apply a wax-based wood-stainer at least once a year before the winter season. Close the parasol when the weather conditions are unsuitable, strong wind or heavy rain.

Scolari parasols can be combined with special bases developed for the ground fixing. If it is decided to position a Scolari parasol using ballast only, their suitability for use in conditions of moderate wind is certified. In the specific table the minimum ballast weights are indicated. The Customer is the sole party responsible for installing and managing the parasol.

STAINLESS STEEL

Attention:

1. DO NOT USE THE FOLLOWING PRODUCTS on any parts made of stainless steel: Chlorine bleach or detergents containing bleach (they can corrode stainless steel). Hydrochloric acid or products containing chlorides (they can corrode stainless steel).
2. Salt, limestone or acids (drinks and food) may discolour parts made of stainless steel if not cleaned promptly.
3. Products or parts made of stainless steel used near the seaside or for the interior decoration of swimming pools require more frequent cleaning in order to remove chlorites deposited on them and to prevent corrosion and chemical deterioration of the external surfaces.
4. Stains or rust noted on stainless steel surfaces must be cleaned promptly.
5. Stains left in place for long periods may become permanent.
6. Rust may cause chemical reactions or corrode stainless steel.

To remove stains or rust:

- Apply a specific non-abrasive detergent or polish for stainless steel.
- Rinse thoroughly with clean water.
- Lastly, dry thoroughly in order to prevent streaks from occurring, rubbing in the sense of the fibres.

VARNISHED METALS: IRON AND ALUMINIUM

For a long lasting of the parasol we recommend to store it in dry environments, during the winter and when not in use. It's also recommended to check once a season, especially after a long period of inactivity, the proper functioning of all components. Our warranty does not cover any type of scratches or abrasions to finish caused from the contact with other furniture or any resulting corrosion.

The employ in marine environments can lead to the accumulation of salt and chlorides on the powder coating. Failure to perform regular cleaning with fresh water can cause blisters, oxidation, discoloration and invalidates the warranty.

To clean surfaces in varnished metals, use cold water and non abrasive or aggressive liquid detergents.

Apply with a soft cloth. In the case of very dirty and/or aged surfaces, after cleaning, it is advisable to treat them with liquid paraffin. In the event of stains caused by lime deposits on varnishes of coarse structure (eg. antique iron and indian brown) clean them with a cloth and a solution of white wine vinegar diluted in cold water.

WOOD: IROKO

Traditional wood employed for outdoor furniture and the marine industry. Iroko is a hardwood with a high oil content, suitable for external use. Extremely long-lasting. It is practically unalterable to repeated exposure to atmospheric factors. Even if treated, the surface takes a silver-grey coating which is the natural protection from inside the wood, considered an essential part of Iroko's charm.

The natural tendency of wood to turn gray or lose the brightness of the paint can be prevented in the early stages of the product life. The parasol can be restored by a new treatment with proper products easy to find in specialized shops. It's necessary to apply a solution of water and colourless oil, to exposed surfaces with a cloth. The oil must be highly diluted. Superficial stains can be removed by intervening in time, before the wood can fully absorb them. Gently sand the surface in question and then polish with a rough cloth.

SYNTHETIC FABRICS: ACRYL AND POLYESTER

The fabric is waterproof and anti mould treated to reject water, spots and grant transpiration. Please follow our maintenance instruction to grant the long lasting of the fabric:

- Remove often dust deposits, spots and any type of dirt in order to avoid trails after cleaning.
- It's very important to close the parasol only when it is perfectly dry. During the winter and when the parasol is not employed, it has to be stored in dry environment. Avoid prolonged contact with oily substances and/or dyes that could be absorbed by the covering material in PVC and cause permanent stains, in addition to damaging the structure of the thread. Do not use solvents or solvent-based detergents (avoid acetone). Use water and non-abrasive, colourless liquid detergents with a neutral PH. Let the detergent act for a few minutes. Rinse well with water no warmer than 30°C.

COMPONENTS

The steel components, screws and accessories are anti rust treated. Anyway for a long lasting of the parasol, during the winter and when the it is not employed, the parasol has to be stored in dry environment. During every season it is necessary to check the functionality of all components, especially after a long period of non-employ. The company Scolari is at your disposal for technical assistance.

CATAPHORESIS

Cataphoresis treatment is an immersion painting process that guarantees uniform and long-lasting protection of all metal surfaces, even in the least accessible areas. During the process, the component is immersed in a bath containing electrically charged paint particles: thanks to the electrochemical action, these adhere homogeneously to the metal, creating a continuous, compact and corrosion-resistant protective layer.

This treatment represents a high level quality standard, ensuring greater durability, constant aesthetics over time and protection against atmospheric agents and salt: ideal for metal components intended for outdoor environments, ensuring durability and reliability over time.

WARRANTY

Scolari parasols are designed to last for many years exposed to outdoor use.

As with many items, attention in use and maintenance and following the instructions contained in these pages, allows an even longer average life of the product and the possibility of enjoying an even more efficient and aesthetically pleasing product.

Scolari's products are guaranteed for 2 years.

If you comply with the indications and advices, the warranty can be extended as follows:

THE WARRANTY COVERS ONLY MANUFACTURING DEFECTS OF STRUCTURAL INTEGRITY. THE WARRANTY DOES NOT COVER DAMAGES CAUSED BY MECHANICAL ACTIONS, FORCE OF NATURE AND MALICIOUS ACTS.

5 years warranty on aluminum and stainless steel components. Including painting and screws.

- Structural faults not resulting from improper use or lack maintenance.
- Invasive corrosion not produced by scratches or abrasions from use not removable through normal cleaning and maintenance.

5 year warranty on colors and treatment of fabrics (strength).

- The replacement of the canopy during the warranty period is foreseen only if it loses its color before the end of the warranty period. Users must properly maintain fabrics for the warranty to be effective. Proper maintenance implies regular cleaning.
- The warranty does not cover damage from contact with foreign objects, wind-driven abrasions, misuse or abuse (tears, burns and holes). The intensive employ in an aggressive environment (seaside and pool use), requires a regular rinse of the fabric with fresh water in order to prevent and avoid the build-up of salt and chloride residues.

2 years warranty on all metal and steel elements in general

1 year warranty on the opening mechanisms with crank subject to correct and respectful use according to the instruction given.

2 years warranty in general for finishes and other materials not specifically mentioned and written above, including concrete bases and ballasts.

1 year warranty on LED light kits and electrical components in general.

THE WARRANTY DOES NOT APPLY:

- If the product has not been assembled according to the instructions provided;
- in the event of improper use of the product or use that does not conform to normal intended use of the property;
- in case of non-compliance with the instructions for use and maintenance indicated in the information material supplied with the product;
- in case of storage in environmental conditions that are not suitable for the product;
- in case of modification or tampering with the product;
- if the product has been assembled or combined with components and products not provided by Scolari.

To take advantage of the warranty the faulty item must be shown or pictures must be forwarded, together with the invoice or receipt.

The warranty includes the supply of spare parts or the replacement of the product if necessary.

The warranty does not include the repair on-site or the refund of costs incurred for non-use of the product. In case of defect confirmed by Scolari, it reserves the right - at its own discretion - to replace the product with an equal or equivalent one for essential characteristics or to refund only the amount paid for the product to the customer.

No further expenses or damages can be requested from Scolari. Scolari will not be liable for any damage to properties or individuals deriving from an improper use of the product.

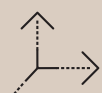
Service and repairs policy

Even in the event of damage and breakage, Scolari has always adopted a careful and punctual after-sales assistance policy.

In any case of damage or need, we recommend contacting our company to evaluate the possibility of repairing and recovering the product, as well as to get assistance in carrying out the intervention.

The connection between the high qualitative and functional standards of the materials used, constitutes the main guarantee of the sturdiness and the resistance of the company's products over time. Respecting the rules of maintenance and use, specified as follows, will ensure the success of these objects, which were devised with Scolari quality, to last a long time.

The information contained in this brochures or other Scolari's advertisements prints, such as product specifications or components, dimensions, assembling instruction, colours, etc., are purely indicative, because of the technical specifications and the technological evolution of the company's products. In order to improve the quality of the product, the company reserves the right to change the same without prior notice and even after acceptance of the order. The company reserves the right to make partial or complete changes to the products without prior notice and declines any responsibility for inaccurate data. Any colour differences and changes of finishing have to be considered normal characteristics of the materials used. These differences do not significantly change the products and aren't reason for return or replacement of the goods or dispute.



- Dimensione (metri)
- Dimensions (meters)
- Masse (Meter)
- Dimensions (metrès)
- Dimensiones (en metros)
- Afmeting in (meters)



- Stecche
- Ribs
- Streben
- Baleines
- Brazos superiores
- Baleinen



- Blocco antivento
- Wind stop
- Windstop
- Block antivent
- Freno para el viento
- Windstop



- Sistema retrattile
- Retractable system
- Einziehbares System
- Système retractile
- Sistema retráctil
- Inklapbaar systeem



- Lunghezza
- Length
- Laenge
- Altura
- Longitud



- Set canaline
- Raingutter set
- Regerinnen
- Set gouttières
- Canalizador Lluvias
- Set regengoten



- Con meccanismo manovella
- With winding mechanism
- Mit Kurbelmechanismus
- Avec mécanisme manivelle
- Con manivela
- Met opwindmechanisme



- Ombrellone girevole a 360°C
- 360-degree rotating umbrella
- 360° drehbarer Schirm
- Parasol rotatif à 360°
- Parasol giratorio de 360°
- 360° draaibare parasol



- Peso
- Weight
- Gewicht
- Poids
- Peso
- Gewicht



- Apertura semplificata a spinta
- Easy push opening system
- Vereinfachte push-up Oeffnung
- Ouverture par poussée simplifiée
- Facil apertura tipo push-up
- Eenvoudig push-up systeem voor openen en sluiten



- Piastre cemento
- Cement slabs
- Kiesbetonplatten
- Dalles ciment
- Losteas de cemento
- Betontegel



- Inclinazione fino a 20°
- Inclination up to 20°
- Neigung bis zu 20°
- Inclination jusqu'à 20°
- Inclinación hasta 20°



- Volume (m³)
- Volume (m³)
- Volumen (m³)
- Volume (m³)
- Volumen (m³)



- Sezione stecche
- Rib section
- Strebenprofil
- Section baleines
- Sección brazos superiores
- Profiel baleinen



- Fodero
- Cover bag
- Schutzhuelle
- Housse
- Funda del parasol
- Afdekhoes



- Inclinazione fino a 60°
- Inclination up to 60°
- Neigung bis zu 60°
- Inclination jusqu'à 60°
- Inclinación hasta 60°



- Ø Palo (mm)
- Ø Pole (mm)
- Ø Mast (mm)
- Ø Mat (mm)
- Ø Palo (mm)
- Ø Mast (mm)



- Camino antivento
- Wind cap
- Windfang
- Souffle
- Tiraje superior para evitar efecto vela
- Windvang



- Doppia carrucola
- Double pulley
- Doppelter Seilzug
- Double poulie
- Doble polea
- Dubbele katrollen

INOX

- Viteria in inox
- Screws in Stainless steel
- Edelstahlschrauben
- Visserie inox
- Tornillos en acero inoxidable
- Schroeven van rvs



- Sezione sostegno (mm)
- Support section (mm)
- Mastprofil (mm)
- Section support (mm)
- Sección soporte (mm)
- Mast (mm)



- Stecca con sistema "easy change"
- Ribs with "easy change" system
- Streben mit "easy change" System
- Baleines avec "easy change" système
- Brazos superiores con sistema de sustitucion fácil
- Baleinen met het "easy change" systeem



- Sistema telescopico
- Telescopic system
- Teleskopsystem
- Système telescopique
- Sistema telescópico
- Telescoop systeem



- Tipo finitura della struttura/sostegno/ componenti
- Finishing for frame/structure/components
- Ausfuehrung des Gestells/der StrENtur/der Bestandteile
- Finition armature/structure/composants
- Tipo de acabado de la estructura/soportes/ componentes



- Colore dei componenti/stecche
- Component/Ribs colour
- Farbe der Bestandteile und Streben
- Couleur des composants et baleines
- Color de acabado de los componentes o brazos superiores



- Cataforesi
- Cataphoresis
- Kataphorese
- Kataphorèse
- Cataforesis
- Kataforese